



HM-DT03

Thermal Module Bracket

Thermal Module Bracket HM-DT03 is designed for consumers to fix smartphones and the thermal camera for smartphones. With an adjustable phone clamp angle, it is perfect for carrying around and used in multiple outdoor scenarios such as birdwatching, hiking, camping and sports.

Key Feature

- Quick installation and convenient operation
- Portable and foldable
- Support multiple smartphone models
- Phone clamp angle adjustable

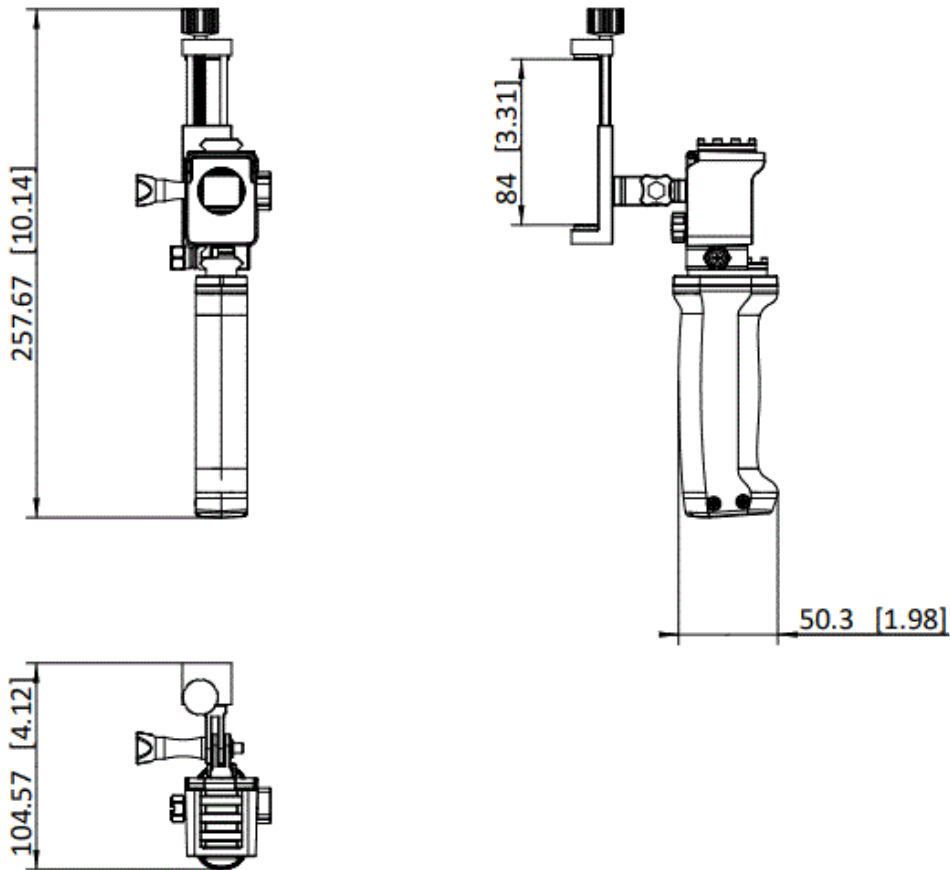
Specification

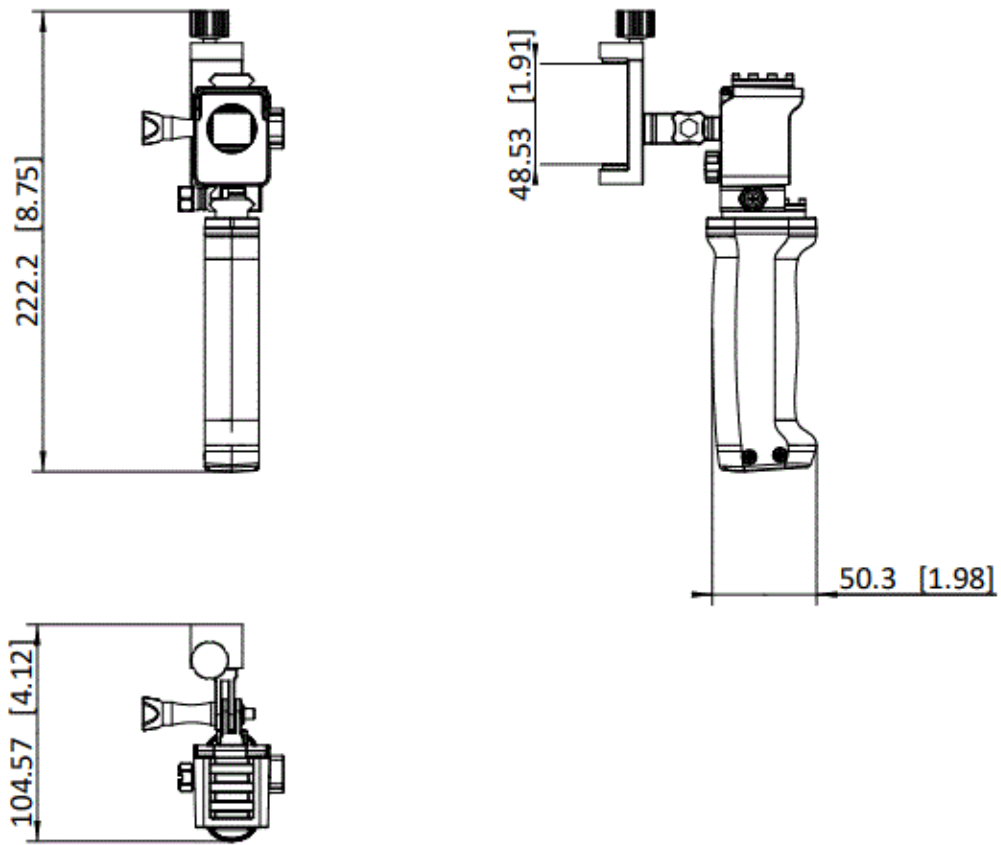
General	
Dimension	257.7 mm × 104.6 mm × 53 mm, width of the phone clamp is from 48.5 mm to 88 mm
Weight	260 g
Accessory	Type-C Cable, Type-C Interface Protector, Hex Key, Thumb Screw Wrench, Foam Pad, QSG
Apply for	E20Plus only

▪ Available Model

HM-DT03

▪ Dimension





Unit: mm [Inch]



HIKMICRO SIGHT



HIKMICRO Outdoor hikmicro_outdoor HIKMICRO Outdoor HIKMICRO info@hikmicrotech.com <http://hikmicrotech.com/en>

Room 313, Unit B, Building 2, 399 Danfeng Road, Xixing Subdistrict, Binjiang District, Hangzhou, Zhejiang
@hangzhou microimage software co.,Ltd .2020 | data subject to change without notice!